

Job Name/Location:

Tag #:

Date:

For: File Resubmit

PO No.:

Approval Other

Architect:

GC:

Engr:

Mech:

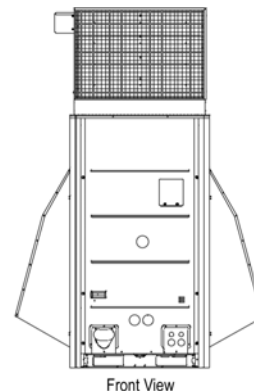
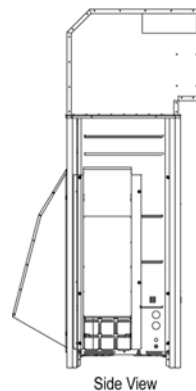
Rep:

(Company)

(Project Manager)

ZLABKA51A

Low Ambient Baffle Kit
for Multi V 5 6-Ton Outdoor Units



Compatible Outdoor Units

ARUM072BTE5

ARUM072DTE5

Fitting Properties:

Color	Dark Gray
Material	20 GA Sheet Metal

Each kit comes with:

- Right wind baffle
- Left wind baffle
- Rear wind baffle
- Top discharge elbow with motorized damper and 24 volt damper actuator
- (50) #10 x 1/2" self drilling hex head screws
- Seal-tite connector (for routing of actuator control and power wiring down to outdoor unit electrical box)

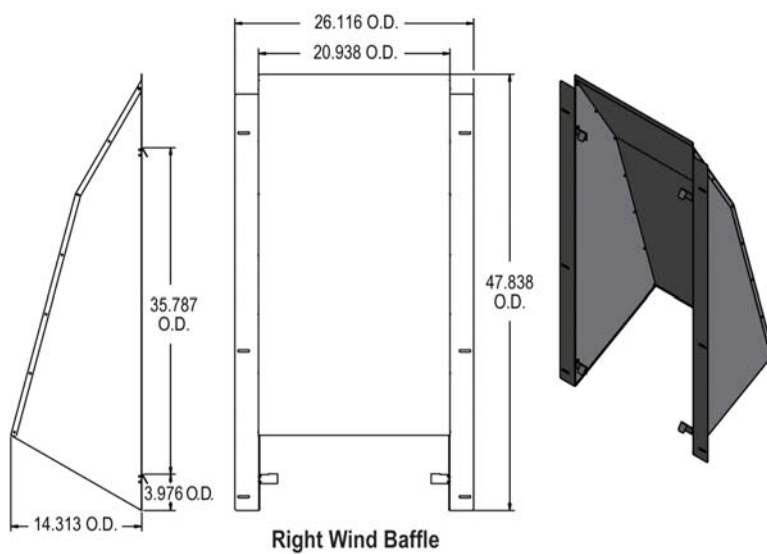
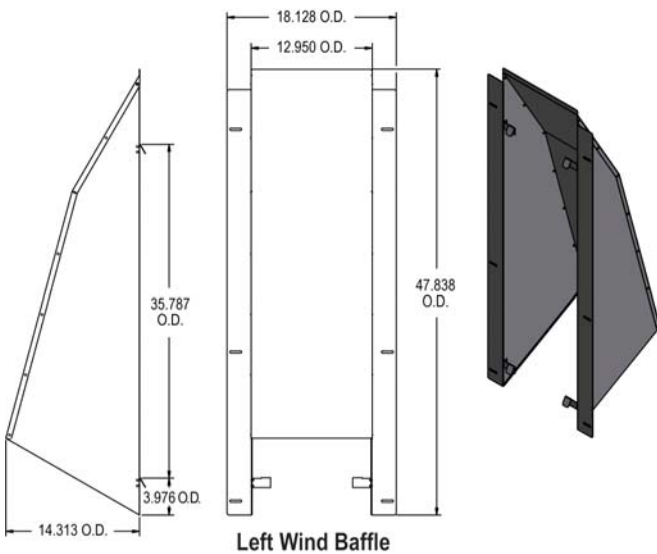
Standard Features:

- Heat Recovery Configurations: 100% nominal cooling capacity available down to -9.9° F when all indoor units are in cooling mode. Synchronous mode operating range is not impacted.
- Heat Pump Configurations: Allows cooling operation down to -9.9° F.
- Damper operator has spring return, normally open actuator

Required Accessories (sold separately):

- Outdoor Unit Multi Application I/O Module - PRVC2

Outdoor Unit	Required Accessory Quantities	
	ZLABKA51A	PRVC2
ARUM072BTE5 / ARUM072DTE5	1	1



ZLABKA51A
Low Ambient Baffle Kit
for Multi V 5 6-Ton Outdoor Units



Tag #:

Date:

PO No.:

